



INSTALLATION & OPERATION MANUAL



EVO FUSION-i

INVERTER POOL & SPA HEAT PUMP



Contents

| | |
|--|----|
| 1. Introduction..... | 2 |
| 2. Dimensions..... | 3 |
| 3. Quick Start Guide | 4 |
| 4. Safety Instructions..... | 6 |
| 5. Installation | 7 |
| 5.1 System Installation | 7 |
| 5.2 Location of Installation | 7 |
| 5.3 Airflow Clearances | 8 |
| 5.4 Adequate Water Flow..... | 8 |
| 5.5 Rubber Feet | 8 |
| 5.6 Condensate Drain Barb..... | 8 |
| 5.7 Drainage & Condensation | 8 |
| 5.8 Plumbing | 9 |
| 5.9 Electrical Connection | 9 |
| 5.10 Initial Start-Up | 9 |
| 6. Operation..... | 10 |
| 6.1 The Controller | 10 |
| 6.2 Operating Functions..... | 11 |
| 6.2.1 Startup & Shutdown | 11 |
| 6.2.2 Switching Modes | 11 |
| 6.2.3 Setting the Target Temperature | 11 |
| 6.2.4 System Time Settings | 12 |
| 6.2.5 Timer Settings | 12 |
| 6.2.6 Silent Settings | 13 |
| 6.2.7 Keyboard Lock | 14 |
| 6.2.8 Fault Interface | 14 |
| 7. Troubleshooting | 15 |
| 7.1 Electronic Control Fault Table..... | 15 |
| 7.2 Frequency Conversion Board Fault Table | 16 |
| 8. Appendix | 17 |
| 8.1 Wiring Diagrams..... | 17 |
| 8.2 Parameter List..... | 19 |
| 8.3 Refrigerant Saturation Temperature | 19 |
| 8.4 Cable Specifications..... | 20 |
| 8.5 Wi-Fi Module Connection (Optional)..... | 20 |
| 9. Maintenance..... | 21 |
| 9.1 F.A.Q | 21 |
| 9.2 Advanced | 22 |
| 10. Warranty..... | 25 |

1. Introduction

This manual contains information relating to the installation, troubleshooting, operation, and maintenance of this EvoHeat unit. Instructions in this manual must always be followed. Failure to comply with these recommendations will invalidate the warranty. Should you have any questions or require technical support, call the EvoHeat office on 1300 859 933 to speak to our team.



The Evo Fusion-i heat pump is the ideal choice for recreational pool & spa owners looking to extend their swim season with minimal running costs. Designed with the latest technology including stepless full DC inverter compressors, fans, and control systems – the Evo Fusion-i is the energy efficient and environmentally friendly way to enjoy a longer swim season.

| TECHNICAL DATA | | Fusion-i 7 | Fusion-i 9 | Fusion-i 12 | Fusion-i 16 | Fusion-i 19 |
|---------------------------------------|--------------|-------------------|-------------------|-------------------|-------------------|-------------------|
| Heat output at 27°C air/26°C water | kW | 7.24 | 9.00 | 11.66 | 16.00 | 18.70 |
| Heat output at 15°C air/26°C water | kW | 5.64 | 7.00 | 8.62 | 12.60 | 14.00 |
| Cooling output at 35°C air/30°C water | kW | 3.35 | 4.22 | 5.01 | 8.52 | 10.21 |
| C.O.P. at 27°C air | | 12.13-5.66 | 12.39-5.84 | 12.57-5.84 | 10.83-5.50 | 10.94-5.12 |
| Consumed power | kW | 0.15-1.28 | 0.18-1.54 | 0.16-2.00 | 0.30-2.91 | 0.32-3.65 |
| Power Supply | | 220-240/1/50 | | | | |
| Max current per phase | A | 6.4 | 8.4 | 10.9 | 16.6 | 17.5 |
| Connection type | | 10amp | 10amp | 15amp | hard wired | hard wired |
| Fan quantity | | 1 | 1 | 1 | 1 | 1 |
| Fan speed | RPM | 400-700 | 400-800 | 400-800 | 400-750 | 400-750 |
| Noise at 1M | dB(A) | 38-50 | 39-51 | 42-53 | 43-54 | 43-55 |
| Noise at 1M in silence mode | dB(A) | 39 | 41 | 43 | 44 | 44 |
| Refrigerant gas | | R32 | R32 | R32 | R32 | R32 |
| PVC Water connection | mm | 40 | 40 | 40 | 40 | 40 |
| Water flow volume | L/min | 40 | 50 | 60 | 90 | 100 |
| Water pressure drop (max) | kPa | 2 | 3 | 4 | 5 | 5 |
| Net dimensions L/W/H | mm | 1004/418/605 | 1004/418/605 | 1004/418/605 | 1046/453/765 | 1161/490/862 |
| Net weight | kg | 42 | 45 | 46 | 66 | 70 |

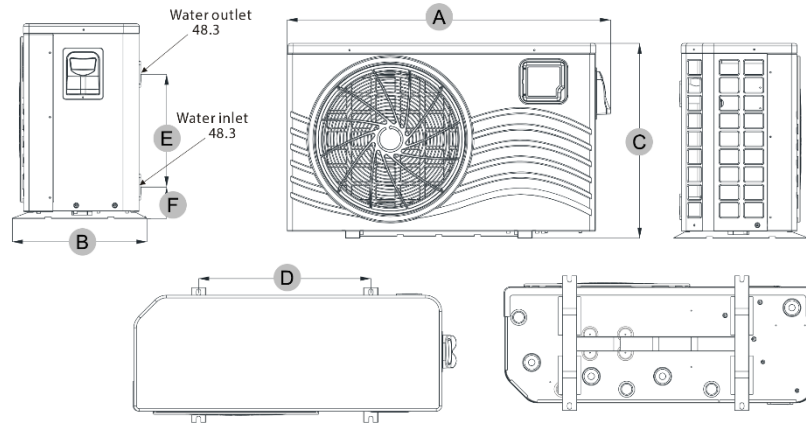
Heating: 27°C Air / Water 26°C / Humid 80%

The data above is based on the Evo heat pump only, it does not include auxiliary devices. Product specification information provided above is correct at the date of printing, this data may change without notice. Please speak with an EvoHeat Specialist for the most current product specifications.

2. Dimensions

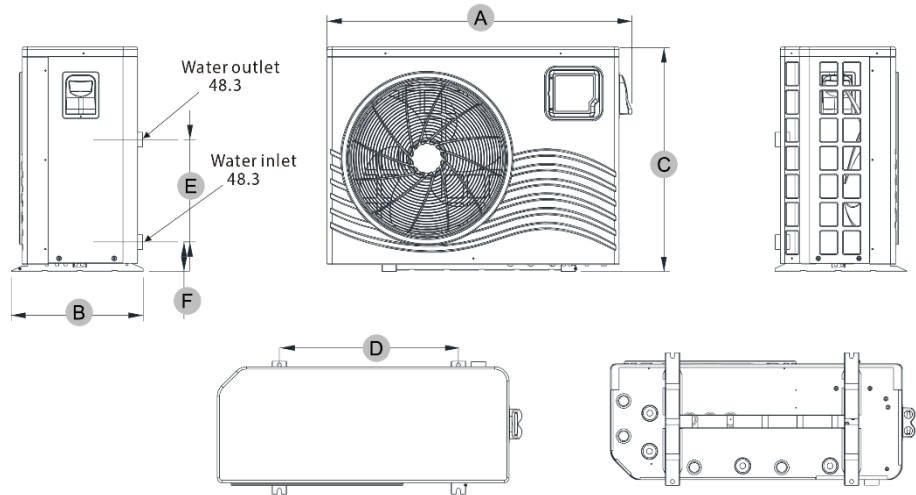
Unit: mm

Fusion-i 7, 9 & 12



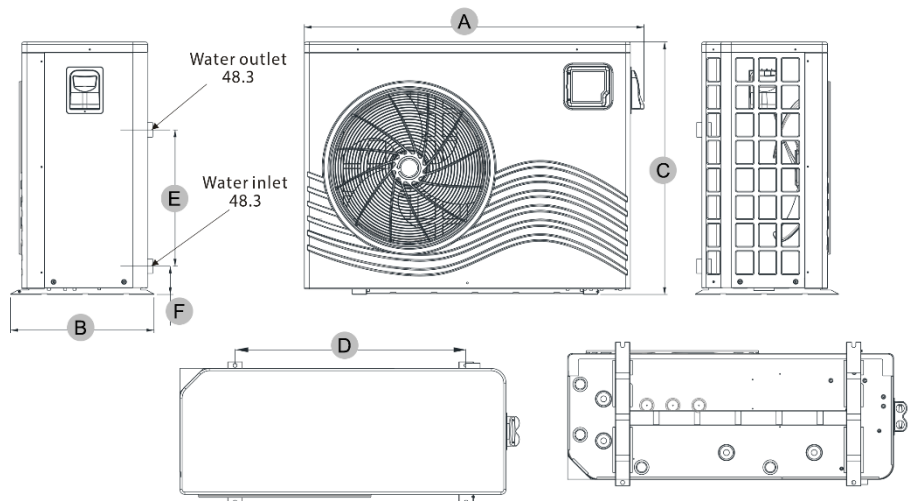
| Fusion-i | A (L) | B (W) | C (H) | D | E | F |
|-----------|-------|-------|-------|-----|-----|----|
| 7, 9 & 12 | 1004 | 418 | 605 | 535 | 350 | 98 |

Fusion-i 16



| Fusion-i | A (L) | B (W) | C (H) | D | E | F |
|----------|-------|-------|-------|-----|-----|-----|
| 16 | 1046 | 453 | 764.5 | 615 | 350 | 101 |

Fusion-i 19



| Fusion-i | A (L) | B (W) | C (H) | D | E | F |
|----------|-------|-------|-------|-----|-----|------|
| 19 | 1161 | 490 | 861.5 | 790 | 465 | 96.5 |



QUICK START GUIDE

Evo Fusion-i

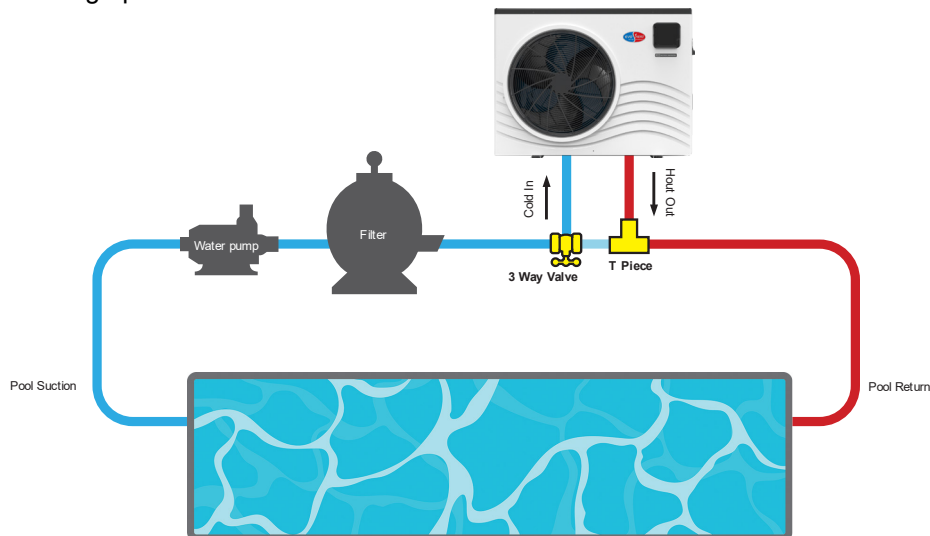


IMPORTANT THINGS TO NOTE

- Ensure you meet the minimum clearances and recommended installation locations as outlined in the manual.
- All heat pump accessories are contained in a plastic bag inside the packaging of your heat pump unit.

PRE-INSTALLATION

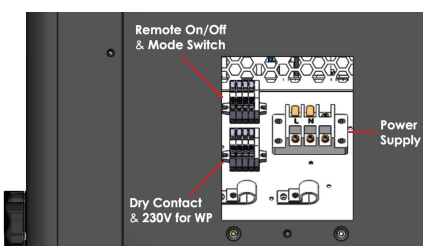
1. Position the heater on a level pad in the desired location on the pool water return line (as shown in the example image below).
2. Install the supplied antivibration rubber pads under the feet of the unit.
3. Install the supplied condensation barb to the underside of the unit and direct the condensation to an appropriate drainage point.



PLUMBING INSTALLATION

NOTE: Evo heat pumps standard plumbing fitting size can accept 40mm NB PVC pipe for connection to the pool or spa filtration plumbing.

1. Attach the supplied barrel unions to the cold inlet and hot outlet (hand tighten).
2. Use plumbing tape and ensure the 'O' ring is in position when sealing.
3. Install a 3-way valve at the cold-water inlet and create a bypass by connecting a "T" piece to the heated line.
4. Make the plumbing connections and brace pipework where necessary.



WATER PUMP CONNECTION

NOTE: there are 3 connection options for activation of the heat pump/water pump:

1. Remote on/off – for connection to external pool automation (signal input)
2. Water Pump – 230V connection point for dedicated water pump
3. Dry Contact – connection for chlorinators with dry contact capabilities (signal output)





ELECTRICAL CONNECTION

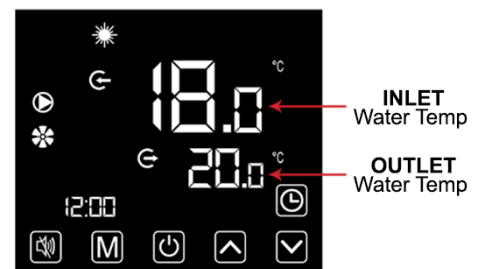
NOTE: Electrical connection should only be completed by licenced personnel and in accordance with all relevant Australian Standards, applicable laws and local legislations.

1. Remove the external cover to the electrical terminal by removing the screws and the terminal cover panel.
2. Feed the electrical cable in through the conduit nipple and attach the electric supply wires to the applicable Active Neutral and Earth connections located in the electrical terminal.
3. To complete the electrical connection, install electrical conduit, UF cable or other suitable means as specified (as permitted by local electrical authorities) and connect the cable to a dedicated power supply branch circuit equipped with the appropriate size circuit breaker, or time delay fuse protection.

INITIAL STARTUP & COMMISSIONING

NOTE: The water pump must be running and water circulating through the heat pump for the system to operate.

1. Turn on your water filter pump and check for water leaks and verify flow to and from the pool.
2. Turn on the electrical power supply to the EvoHeat unit.
3. Press the ON/OFF  button of the controller for half a second, the heat pump will start within 60 seconds
4. To select the operating mode, press the “M” button to cycle to the sun icon (heating)
5. To set the temperature, press  in the main interface, the current target-temperature will flash
6. Press  to increase the temperature, or press  to decrease the temperature
7. Once the desired temperature is displayed, allow the screen to time out to set
8. After the system has been running for approximately 5 minutes; check the 2 temperatures displayed on the screen and review the Temperature Differential (TD). The main temperature displayed is the water inlet temperature, the smaller temperature display is the water outlet temperature.
9. Adjust the water flow by opening or closing the 3-way valve installed at the cold-water inlet to achieve a target TD of approximately 2°C (e.g. 22°C inlet water and 24°C outlet water)
10. If there is any interruption to water flow (i.e. when the water pump is turned off), the unit will automatically turn off and display an E03 error code - no water flow. This is normal and the system will restart once water flow is reinstated.



INITIAL HEAT UP TIME

Initial heat up times will vary depending on the size of your pool, environmental conditions and the capacity of the system installed. After installation, please allow the unit and pool pump to run continuously until the desired pool water temperature is reached (it may take several days for the pool to initially reach the set temperature).

Once the pool water reaches the desired set temperature, the unit will shut off. The unit will automatically restart (provided your pool pump is running) when the pool temperature falls more than 1°C below the desired set temperature.

4. Safety Instructions



Installation, repair, or relocations must only be done by a fully qualified technician. If done incorrectly there is a number of hazards that can occur including fire, electric shock, water leakage and injury.

- A circuit breaker must be installed for the unit.
- Ensure the unit has a good power connection and earthing to avoid the risk of electrical shocks.
- Do not use any means to accelerate the defrosting processor or to clean other than those recommended by EvoHeat.
- The unit must be stored in a room without any continuously operating ignition sources (for example: open flames, an operating gas appliance)
- Do not pierce or burn the unit.
- If the supply cord is damaged, it must be replaced by a qualified service agent.
- This appliance must be installed in accordance with national wiring regulations.
- Before obtaining access to terminals all supply circuits must be disconnected.

The unit is equipped with an over-load protection system. After a previous stoppage, the unit will not start for at least 3 minutes.

Be aware that refrigerants may not contain an odour.

An all-pole disconnection device must be incorporated which as at least 3mm clearances in all poles, a leakage current that may exceed 10mA, residual current device (RCD) having a rated residual operating current not exceeding 30mA and disconnection must be incorporated in the fixed wiring in accordance with the wiring rules.

WARNING

THIS PRODUCT CONTAINS A BUTTON BATTERY

If swallowed, a lithium button battery can cause severe or fatal injuries within 2 hours.

Keep batteries out of reach of children.

If you think batteries may have been swallowed or placed inside any part of the body, seek immediate medical attention.

Installation

- The unit should be installed, operated and stored in a room with a floor area larger than 30m².
- The installation of pipe-work should be kept to a minimum 30m²
- Spaces where refrigerant pipes are present must comply with national gas regulations.
- Use supply wires suitable for 75°C

Transport

When transporting equipment containing flammable refrigerants:

- Comply with transport & local regulations
- Equipment must be stored safely in accordance with the instructions within this manual.
- Abide by any signage on the packaging
- The unit must be protected from damage and potential leak of the refrigerant charge.

*Caution: Single wall heat exchanger, not suitable for potable water connection.

5. Installation

5.1 System Installation

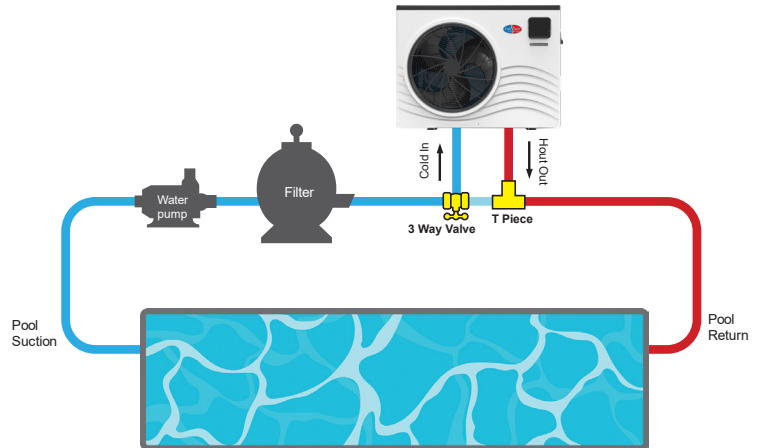
Upon receiving the unit, check the packaging for any obvious signs of damage. Inform EvoHeat immediately if there is any evidence of rough handling. When the heater has been removed from the packaging check the refrigerant gauge on the front panel of the unit. The gauge should be showing a pressure of approx. 10 – 20 on the outside red band – any less than this figure means there may be a leak in the refrigerant system, and you should immediately contact your EvoHeat Dealer.

Only the main unit and the water unit in the illustration are provided; the other items are necessary spare parts for the water system that are to be provided by customer or the installer.

When starting for the first time:

1. Open valve and charge water.
2. Make sure that the pump and the water-in pipe have been filled with water.
3. Close the valve and start the unit

The schematic diagram is for reference only. Please check the water inlet/outlet label on the heat pump while plumbing the unit.



IMPORTANT: EvoHeat heat pumps **MUST** be connected by a licensed electrician. Under no circumstances should an unlicensed person attempt to install or repair an EvoHeat heat pump themselves. Heater electrical installation undertaken by an unlicensed installer will void the warranty. Correct installation is required to ensure safe and efficient operation of your pool heater.

Before installation it is very important to ensure 5 variables are carefully checked to allow the unit to operate correctly.

- Heater Condition
- Location
- Clearances & Air Flow
- Adequate water flow & plumbing
- Correct electrical connection & supply

5.2 Location of Installation

Evo recommend the heat pump should **ONLY** be installed in an outdoor location with appropriate ventilation. Installing the heater indoors without adequate ventilation, or in a poorly ventilated enclosed space, will result in very poor performance and can, in extreme cases, damage the heater.

| | |
|-----------------------------------|--|
| The Evo unit should be installed: | <ul style="list-style-type: none"> - At least 3.5m away from the water's edge. - No greater than 7.5m from the water's edge (to avoid heat loss from the piping). - No greater than 5m below the water level of the pool/spa. |
|-----------------------------------|--|

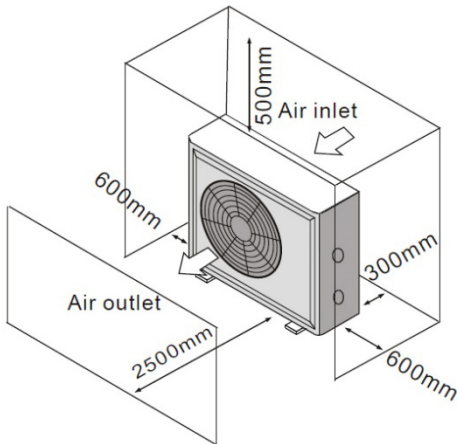
Make sure the heat pump is not located where large amounts of water may run-off from a roof into the unit. Sharp sloping roofs without gutters will allow excessive amounts of rain water mixed with debris from the roof to be forced through the unit. A water deflector may be needed to protect the heat pump.

Ensure the heat pump is not installed close to harsh or corrosive chemicals.

The heat pump should be installed on a flat level surface.

If a suitable outdoor location is unavailable, please contact EvoHeat for specialist technical advice.

5.3 Airflow Clearances



Ensure the heater is installed in a well-ventilated area with plenty of fresh air, a minimum gap between walls/fences etc of 600mm on the sides and 500mm overhead clearance.

Leave sufficient space for unobstructed airflow into and out of the heater. Do not locate the heater in an enclosed area, or the discharged cold air will recirculate into the unit and consequently lower the heating efficiency as well as possibly icing up.

If the installation location does not comply with these suggested clearances, contact EvoHeat's Tech Support to discuss possible solutions.

5.4 Adequate Water Flow

All EvoHeat heat pumps have a factory pre-set internal water flow switch. If there is insufficient water flow the unit will not operate.

It is VITAL that there is sufficient water flow to the unit. Incorrect water flow can cause a loss of efficiency and possible damage to the unit. Optimal water flow rates are listed within this manual. It is imperative that water flow is kept as close as possible to these flow rates.

Before connecting the heater to the plumbing all piping must be thoroughly flushed to ensure no debris can enter the heater. Failure to remove pipe debris can jam or damage the flow switch and may cause damage to the heater. When cleaning the pool, it is advisable to turn off your heater as restricted water flow may cause the heater to shut down and indicate low water flow fault (E03 error) or high pressure fault (E01 Error).

5.5 Rubber Feet

All EvoHeat units are provided with rubber feet which we highly recommend being installed. The rubber feet help reduce vibration of the unit and provide a space below the heat pump to install the drainage bars.

5.6 Condensate Drain Barb

Fit the condensate drain barb into the 2 holes under the unit if you need to direct water away from the heater.

If the barb is too stiff, place it in hot water to soften.



5.7 Drainage & Condensation



During operation, water in the air condenses on the fins of the evaporator. In high humidity, the condensate may be several litres per hour, giving the impression that the unit is leaking. This process is a normal function of heat pumps.

The heater will automatically activate reverse cycle or de-icing mode when required which also increases condensate discharge. This normally occurs at temperatures below 8°C. The condensate water will discharge through the base of the heater. As an option, a pipe can be connected to the drain on the base of the unit to direct condensate water to an appropriate location.

NOTE A quick way to verify that the water is condensation is to shut off the unit and keep the pool pump running. If the water stops running out of the base pan, it is condensation. Another method is to test the drain water for chlorine – if there is no chlorine present, then it's condensation

5.8 Plumbing

The unit's exclusive rated flow titanium heat exchanger requires no special plumbing arrangements except bypass (set the flow rate according to the nameplate). The water pressure drop is less than 10kPa at max.

Flow Rate

Since there is no residual heat or flame temperatures the unit does not need copper heat sink piping. PVC pipe can be run straight into the unit.

Location

Connect the unit in the pool pump discharge (return) line downstream of all filter and pool pumps, and upstream of any chlorinators, ozonators or chemical pumps.

Standard models have slip glue fittings which accept 40mm PVC pipe for connection to the pool or spa filtration piping. By using a 50NB to 40NB you can plumb 40NB.

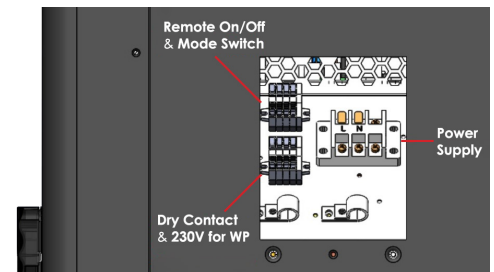
Consider adding a quick coupler fitting at the unit's inlet & outlet to allow easy draining of the unit and to provide easier access should servicing be required.

Ensure pipework connecting to the inlet/outlet unions is appropriately supported, any movement in this pipework can caused the rubber O-ring to pinch and leak.

5.9 Water Pump Connection

NOTE: there are 3 connection options for activation of heat pump/water pump:

1. Remote on/off – for connection to external pool automation (signal input)
2. Water Pump – 230V connection point for dedicated water pump
3. Dry Contact – connection for chlorinators with dry contact capabilities (signal output)



5.10 Electrical Connection



Always use a suitably qualified Electrician to perform any electrical work, they must read the manual before connecting.

Ensure all cabling, circuit breakers, and protections are of a suitable size and specification in accordance with electrical wiring legislation for the heater being installed. Ensure to check that there is adequate voltage and current available at the heater connection to run the unit.

Voltage range should be 220-240 volts for single phase, and 380-415 volts for 3 phase units. Voltage ranges outside these parameters will cause heater damage and void your warranty.

1. Ensure power is disconnected during installation or service.
2. Always comply with the national and local electrical codes and standards.
3. Ensure the electrical cable size is adequate for heater requirements at the installation location.
4. The heater must be equipped with a circuit breaker and isolation device.
5. The circuit breaker must be installed between the heater and the water circulation pump if the water pump is hard-wired into the heater. Please note recommended circuit breaker sizes make no allowance for a water pump hard wired into the heater.
6. The unit must be well earthed. Remove the front panel to access the electrical connection terminals of the heater. The electrical wiring diagram is affixed to the inside of the front panel or at the back of this manual.

5.11 Initial Start-Up

Refer to the *Quick Start Guide* in this manual for instructions on the initial start-up and commissioning of the unit.

6. Operation

6.1 The Controller

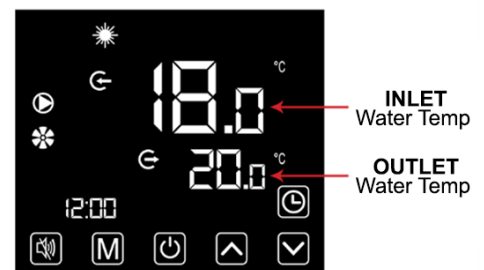


| | | |
|--|---------------|--|
| | MUTE | Under heating or auto mode, the mute operation can be applied or removed. |
| | MODE | Switch unit mode, temperature setting and parameter setting. |
| | ON/OFF | Start-up/shutdown unit OR cancel current operation and return to last level of operation |
| | UP | Scroll page up OR increase variable value |
| | DOWN | Scroll page down OR decrease variable value |
| | CLOCK | Date and time settings OR timer settings |

| | | | | | |
|------------------------|-------------------|--------------------------------------|------------|---------------------|--|
| | COOLING | Cooling mode is active | | LOCK | The keyboard is locked |
| | HEATING | Heating mode is active | | FAULT | Displays when a fault occurs |
| | AUTO | Auto mode is active | | WIRELESS | Appears if the unit is connected to Wi-Fi and shows the strength of the signal accordingly |
| | DEFROSTING | Unit is defrosting | | WATER INLET | When displaying the water inlet temperature, the light is on |
| | COMPRESSOR | Displays when compressor has started | | WATER OUTLET | When displaying the water outlet temperature, the light is on |
| | WATER PUMP | Displays when water pump has started | SET | SET | When the parameter is adjustable this will display |
| | FAN | Displays when fan has started | sec | SECONDS | Displays when on |
| | MUTE | Displays when mute function is on | min | MINUTES | Displays when on |
| | TIMING | Timer has been set and is on | hr | HOURS | Displays when on |
| m³/h | FLOW | Displays when on | bar | PRESSURE | Displays when on |

Note: The upper large numbers refer to the inlet water temperature (water coming into the heat pump). The lower small numbers refer to the outlet water temperature (water exiting the unit).

For heating, the upper numbers will be a lower degree as it is bringing in cold water, while the lower numbers will be higher as it is expelling warmer water. For cooling, the upper value will be a higher temperature than the lower value.



6.2 Operating Functions

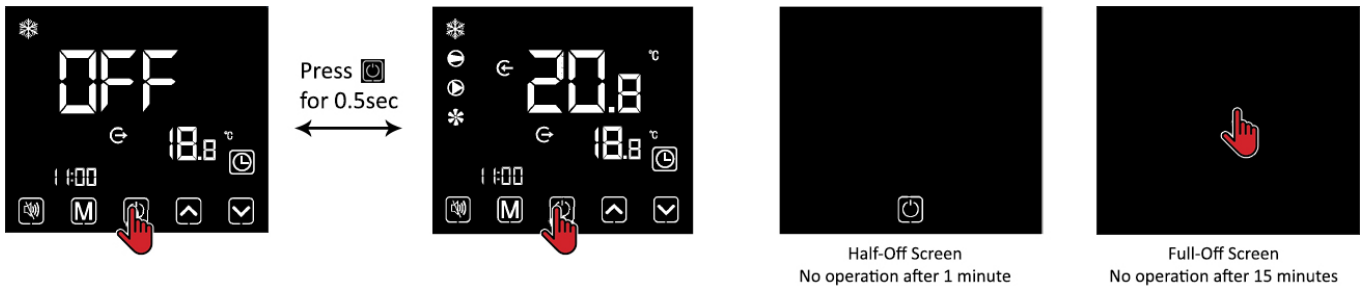
EvoHeat have developed a YouTube Channel with video walkthroughs of the different controller functions.

Scan the QR code or head to our channel to view the videos we have available
<https://www.youtube.com/@evoheatpumps>



6.2.1 Startup & Shutdown

Only from the main screen, the unit can be turned on or off. If the half or full-off screen appears, press any key to go back to the main interface.



When the unit is started using the controller, if the emergency switch was used to shut it down the controller will display as follows; the operation will be the same as the regular ON/OFF screen.

6.2.2 Switching Modes



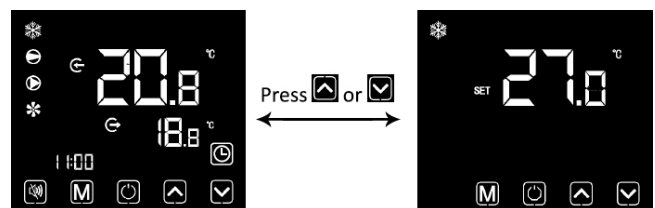
To switch modes, from the main menu short press the **MENU** button to choose from Heating, Cooling or Auto modes. A symbol will display on the controller according to what mode is active. After 2 seconds without a change, the setting will be saved.

Press **M** to alternate between modes

If the unit is defrosting, the defrosting symbol will display on the main interface. After defrosting is complete, the unit automatically switches to Heating or Auto mode depending on what was on prior to defrosting. Under defrosting the mode can be switched however the unit won't apply the mode until defrosting has been completed.

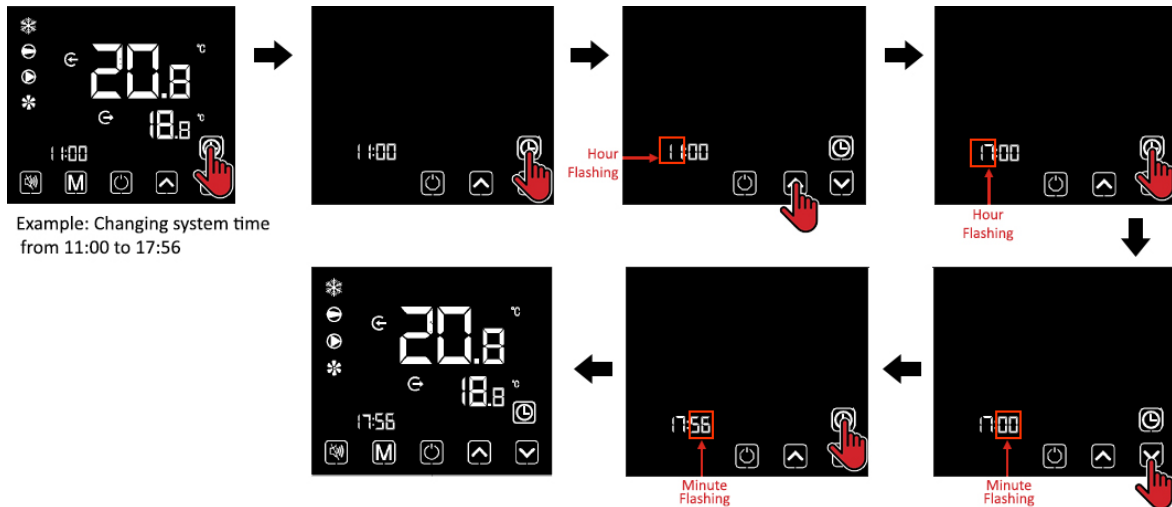
6.2.3 Setting the Target Temperature

From the main menu, press the **UP** or **DOWN** keys to adjust the temperature setting as desired. If you press the **ON/OFF** button during this, you will be taken back to the main menu with no changes saved. If there is no operation for 5 seconds or the **MODE** button is pressed, the adjustments to the temperature will be saved and you will return to the main menu.



6.2.4 System Time Settings

Hold the **CLOCK** button for 2 seconds to enter the system time setting interface. Press the **CLOCK** again to adjust the time. After the first press, the hour parameter will be flashing which means it can be changed, use the **UP & DOWN** arrow accordingly. Press the **CLOCK** button again to move to adjusting the minute digits using the same process. Press the **CLOCK** button again to save and return to the main interface.



Under this menu, if there is no operation for 20 seconds the system will automatically memorise the settings and return to the main menu. Press the **ON/OFF** button at any time during changes to exit without saving changes.

6.2.5 Timer Settings

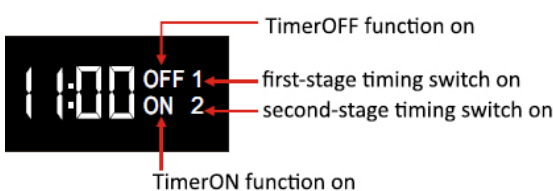
6.2.5.1 Setting a Timer

The controller can be set up as a with two different timer periods: Timer ON1~OFF1; Timer ON2~OFF2.

Select ON1, OFF1, ON2 or OFF2 on the timer setting interface.

Press the **CLOCK** button to enter the timer setting interface. Press the **UP** or **DOWN** arrows to choose between ON1, OFF1, ON2 or OFF2. To set the time, follow the same process as changing the system time to adjust values.

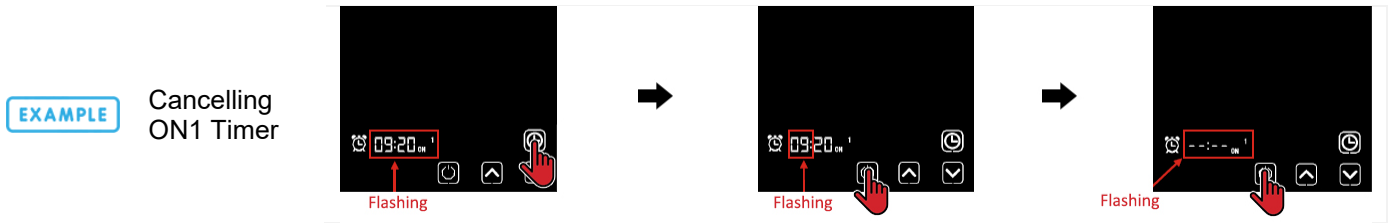
EXAMPLE On at 9:20
NOTE: You You will need to set both an ON & OFF Time if using this function



6.2.5.2 Cancelling a Timer

Select ON1, OFF1, ON2 or OFF2 to cancel the corresponding timer.

To cancel a timer, while the hour value is selected and flashing, press the **ON/OFF** button to clear it. Then press the **ON/OFF** button again to save and return to the main button.

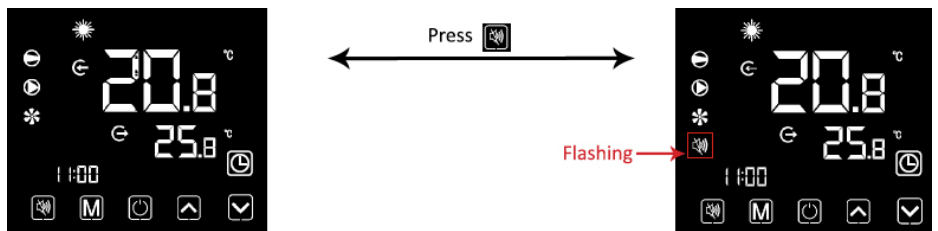


6.2.6 Silent Settings

6.2.6.1 One-Click Silent Function

Press the **MUTE** button to activate the one-click silent function.

If the one-click silent and timing silent function are both started at the same time, press **MUTE** to cancel the one-click silent function and quit the timing silent functions.

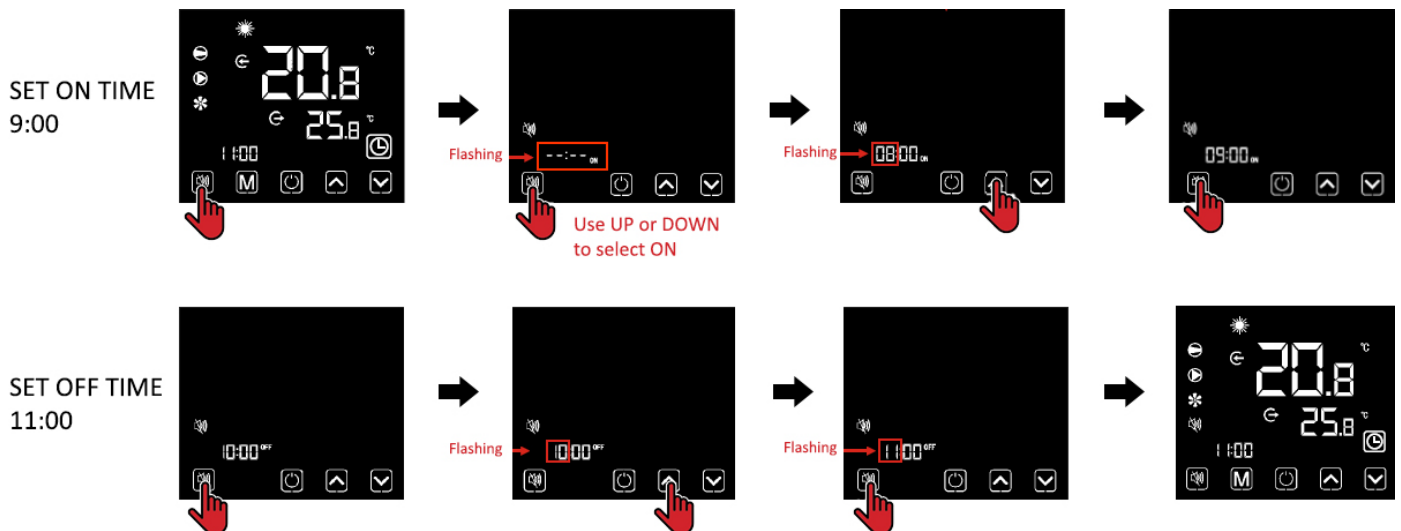


At night or during rest periods, the user can start the one-click silent or the timing silent function to reduce noise.

6.2.6.2 Setting the Timing Silent Function

To set the Timing Silent function, HOLD the **MUTE** button for 2 seconds. A blank time parameter will be flashing, from here you can use the **UP** or **DOWN** arrows to select either the Timing ON or OFF function. Press the **MUTE** button to begin adjusting the hour value. Once this is done press the **MUTE** button again to save the time for the selected function.

Repeat this process to set the alternate ON or OFF timer.



When the MUTE icon is lit, the timing silent has been set but is not yet under silent status.

When the MUTE icon is flashing, it is under silent status.

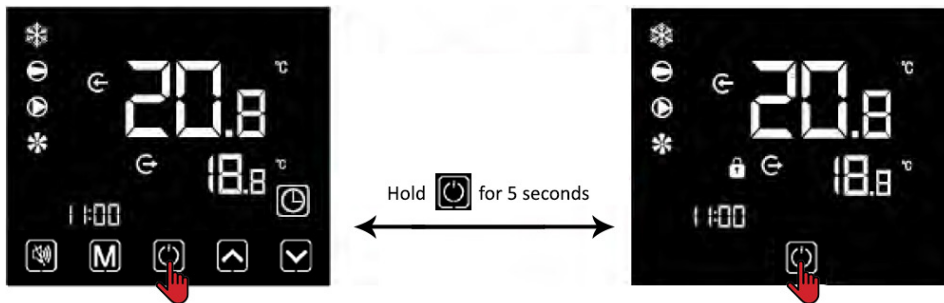
When there is no MUTE icon, the timing silent has not been set.

To cancel the Timing Silent Function, follow the process in 6.2.5.2 Cancelling a Timer.

6.2.7 Keyboard Lock

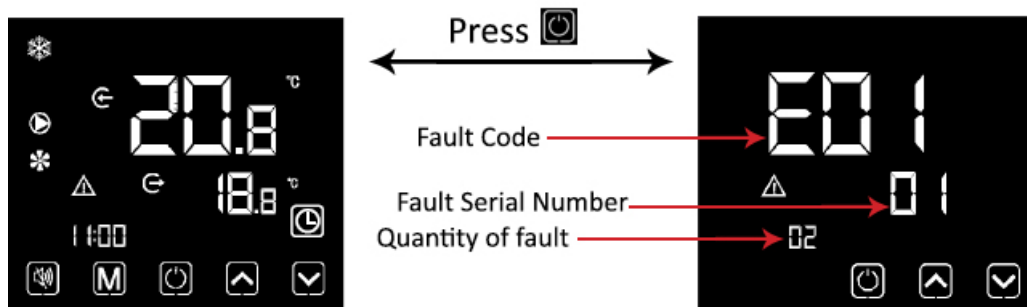
To lock the screen after adjusting settings, from the main menu hold the **ON/OFF** button for around 5 seconds. The keyboard will be locked when the small lock symbol appears. The screen can be locked while the controller is in the on or off interface.

Under the locked screen, the only operation that can be performed is turning the unit on.



6.2.8 Fault Interface

When a failure occurs, the controller will display a code according to the reason of the fault (See 7. Troubleshooting for definition of the codes). From the main interface, press the **ON/OFF** button to view the faults. If there are multiple faults, use the **UP** and **DOWN** keys to view others.



7. Troubleshooting

7.1 Electronic Control Fault Table

| Protect/Fault | Fault Display | Reason | Elimination Methods |
|--|---------------|---|--|
| Inlet Temp. Sensor Fault | P01 | The temp. Sensor is broken or short circuit | Check or change the temp. sensor |
| Outlet Temp. Sensor Fault | P02 | The temp. Sensor is broken or short circuit | Check or change the temp. sensor |
| Ambient Temp. Sensor Fault | P04 | The temp. Sensor is broken or short circuit | Check or change the temp. sensor |
| Coil1 Temp. Sensor Fault | P05 | The temp. Sensor is broken or short circuit | Check or change the temp. sensor |
| Suction Temp. Sensor Fault | P07 | The temp. Sensor is broken or short circuit | Check or change the temp. sensor |
| Discharge Temp. Sensor Fault | P081 | The temp. Sensor is broken or short circuit | Check or change the temp. sensor |
| High Pressure Prot. | E01 | Sudden drop in water flow/poor water flow/ Failed High pressure switch | Turn heater on and off at power source (first ensure good water flow). Check the pressure switch (Technician required) |
| Low Pressure Prot. | E02 | Low pressure1 protection | Check the pressure switch and cold circuit |
| Flow Switch Prot. | E03 | No water/little water in water system | Check the pipe water flow and water pump |
| Anti-freezing Prot. | E07 | Water flow is not enough | Check the pipe water flow and whether water system is jammed or not |
| Primary Anti-freezing Prot. | E19 | The ambient temp. Is low | |
| Secondary Anti-freezing Prot. | E29 | The ambient temp. Is low | |
| Inlet and outlet temp. too big | E06 | Water flow is not enough and low differential pressure | Check the pipe water flow and whether water system is jammed or not |
| Low temperature protection | Non | The environment temp. is low | |
| Comp. Overcurrent Prot. | E051 | The compressor is overload | Check whether the system of the compressor running normally |
| Exhaust Air over Temp Prot. | P082 | The compressor is overload | Check whether the system of the compressor running normally |
| Communication Fault | E08 | Communication failure between wire controller and mainboard | Check the wire connection between remote wire controller and main board |
| Antifreeze Temp. Sensor Fault | P09 | Antifreeze temp sensor is broken or short circuited | Check and replace this temp sensor |
| Waterway Anti-freezing Prot. | E05 | Water temp. or ambient temp. is too low | |
| EC fan feedback Fault | F051 | There is something wrong with fan motor and fan motor stops running | Check whether fan motor is broken or locked or not |
| Pressure sensor Fault | PP | The pressure Sensor is broken | Check or change the pressure sensor or pressure |
| Fan Motor1 Fault | F031 | 1. Motor is in locked-rotor state 2. The wire connection between DC-fan motor module and fan motor is in bad contact | 1. Change a new fan motor 2. Check the wire connection and make sure they are in good contact |
| Low AT Protection | TP | Ambient temp is too low | |
| Fan Motor2 Fault | F032 | 1. Motor is in locked-rotor state 2. The wire connection between DC-fan motor module and fan motor is in bad contact | 1. Change a new fan motor 2. Check the wire connection and make sure they are in good contact. |
| Communication Fault (speed control module) | E081 | Speed control module and main board communication fail | Check the communication connection |
| Coil2 Temp. Sensor Fault | P15 | The temp. sensor is broken or short circuit | Check or change the temp. sensor |

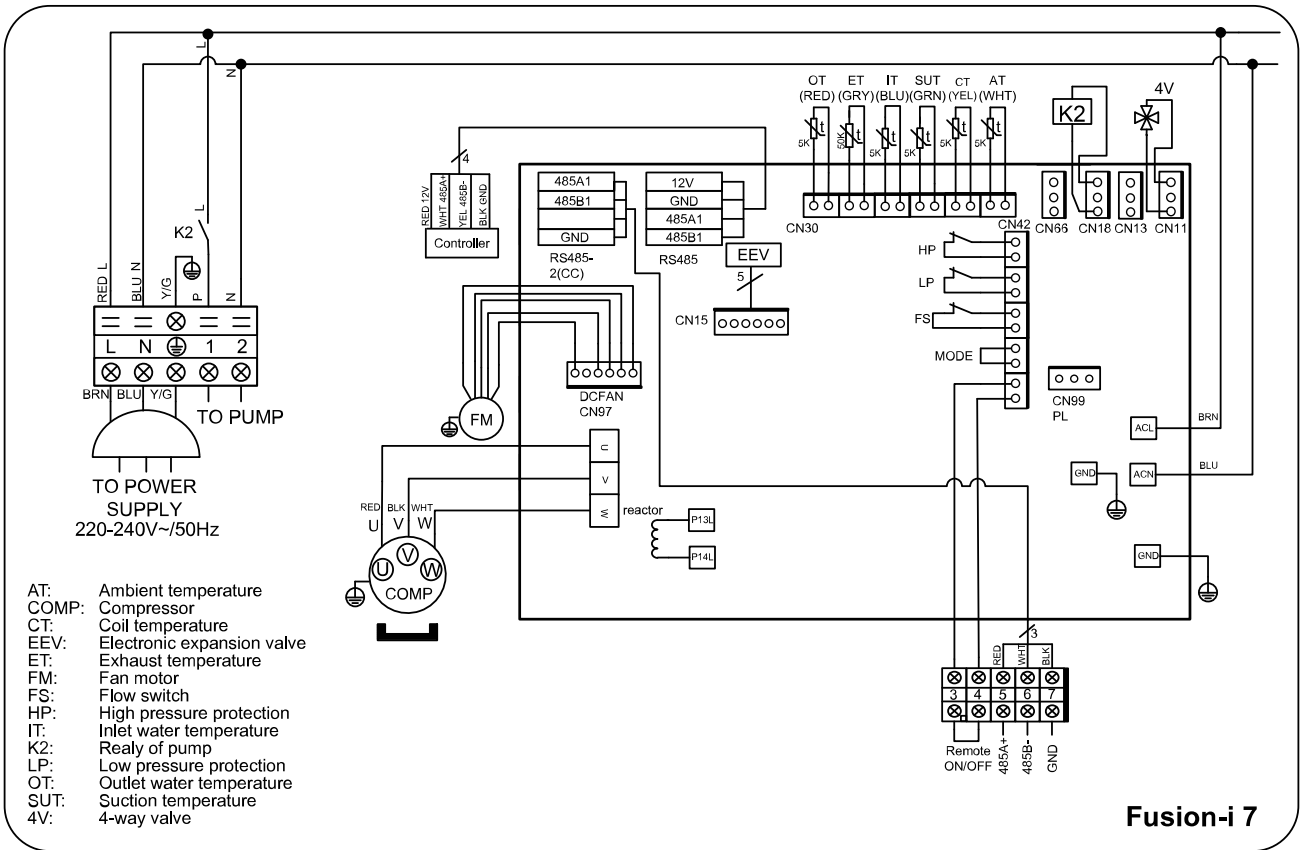
7.2 Frequency Conversion Board Fault Table

| Protect/Fault | Fault Display | Reason | Elimination Methods |
|------------------------------|---------------|--|---|
| Drv1 MOP alarm | F01 | MOP drive alarm | Recovery after the 150s |
| Inverter offline | F02 | Frequency conversion board and main board communication failure | Check the communication connection |
| IPM protection | F03 | IPM modular protection | Recovery after the 150s |
| Comp. Driver Failure | F04 | Lack of phase, step or drive hardware damage | Check the measuring voltage check frequency conversion board hardware |
| DC Fan Fault | F05 | Motor current feedback open circuit or short circuit | Check whether current return wires connected motor |
| IPM Overcurrent | F06 | IPM Input current is large | Check and adjust the current measurement |
| Inv. DC Overvoltage | F07 | DC bus voltage>Dc bus over-voltage protection value | Check the input voltage measurement |
| Inv. DC Less voltage | F08 | DC bus voltage<Dc bus over-voltage protection value | Check the input voltage measurement |
| Inv. Input Less volt. | F09 | The input voltage is low, causing the input current to be high | Check the input voltage measurement |
| Inv. Input Overvolt | F10 | The input voltage is too high, more than outage protection current RMS | Check the input voltage measurement |
| Inv. Sampling Volt | F11 | The input voltage sampling fault | Check and adjust the current measurement |
| Comm. Err DSP-PFC | F12 | DSP and PFC connect fault | Check the communication connection |
| Input Over Cur. | F26 | The equipment load is too large | |
| PFC Fault | F27 | The PFC circuit protection | Check the PFC switch tube short circuit or not |
| IPM Over heating | F15 | The IPM module is overheat | Check and adjust the current measurement |
| Weak Magnetic Warn | F16 | Compressor magnetic force is not enough | |
| Inv. Input Out Phase | F17 | The input voltage lost phase | Check and measure the voltage adjustment |
| IPM Sampling Cur. | F18 | IPM sampling electricity is fault | Check and adjust the current measurement |
| Inv. Temp Probe Fail | F19 | Sensor is short circuit or open circuit | Inspect and replace the sensor |
| Inverter Overheating | F20 | The transducer is overheat | Check and adjust the current measurement |
| Inv. Overheating Warn | F22 | Transducer temperature is too high | Check and adjust the current measurement |
| Comp. Overcut. Warn | F23 | Compressor electricity is large | The compressor over-current protection |
| Input Over Cur. Warn | F24 | Input current is too large | Check and adjust the current measurement |
| EEPROM Error Warn | F25 | MCU error | Check whether the chip is damaged Replace the chip |
| V15V over/undervoltage fault | F28 | The V15C is overload or undervoltage | Check the V15V input voltage in range 13.5v~16.5v or not |

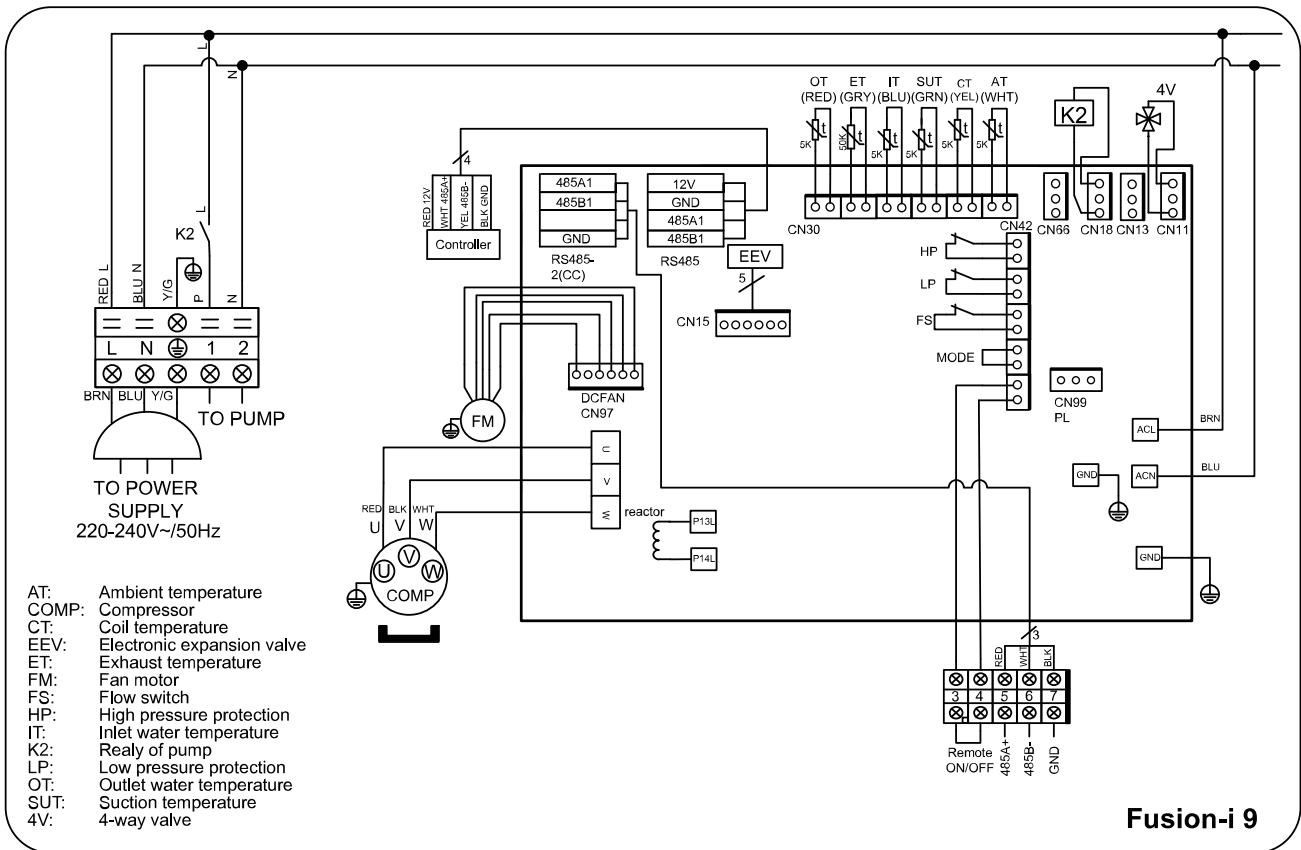
8. Appendix

8.1 Wiring Diagrams

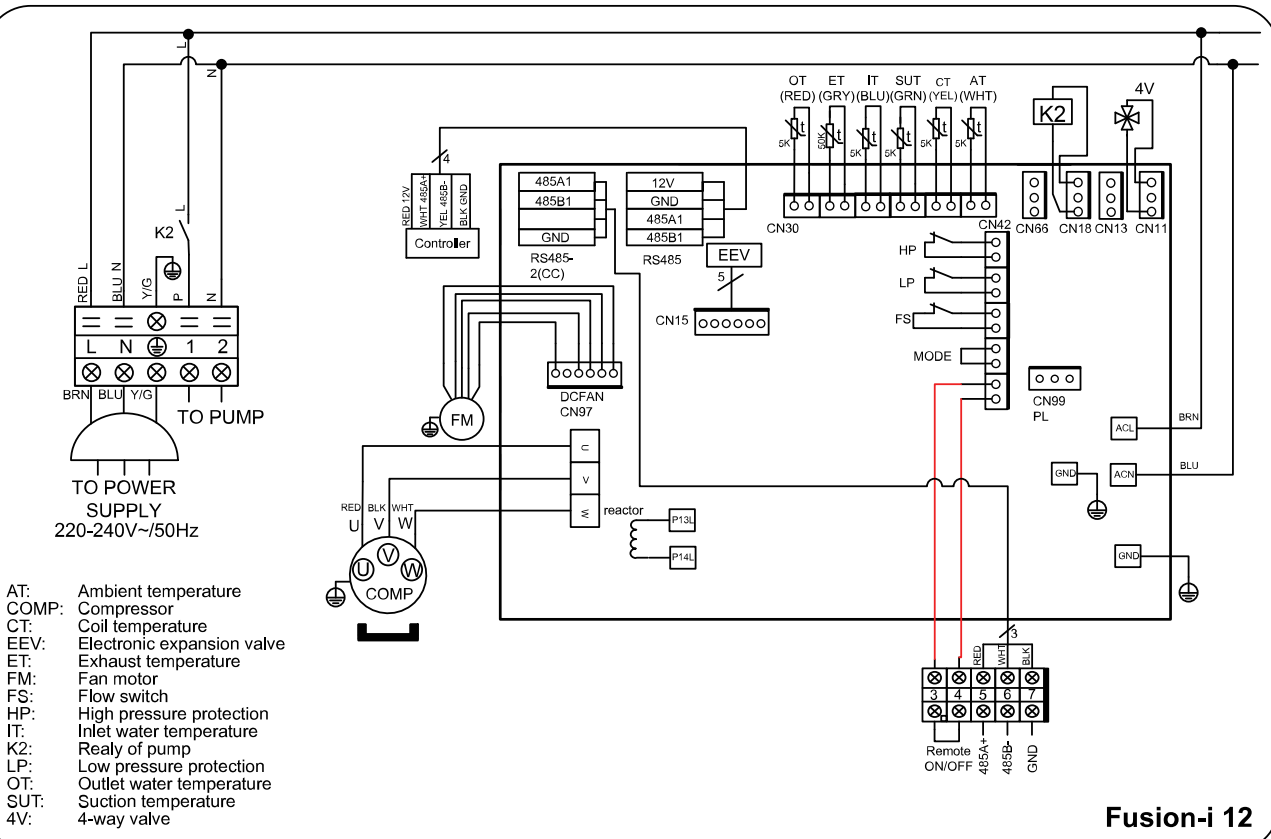
Fusion-i 7



Fusion-i 9

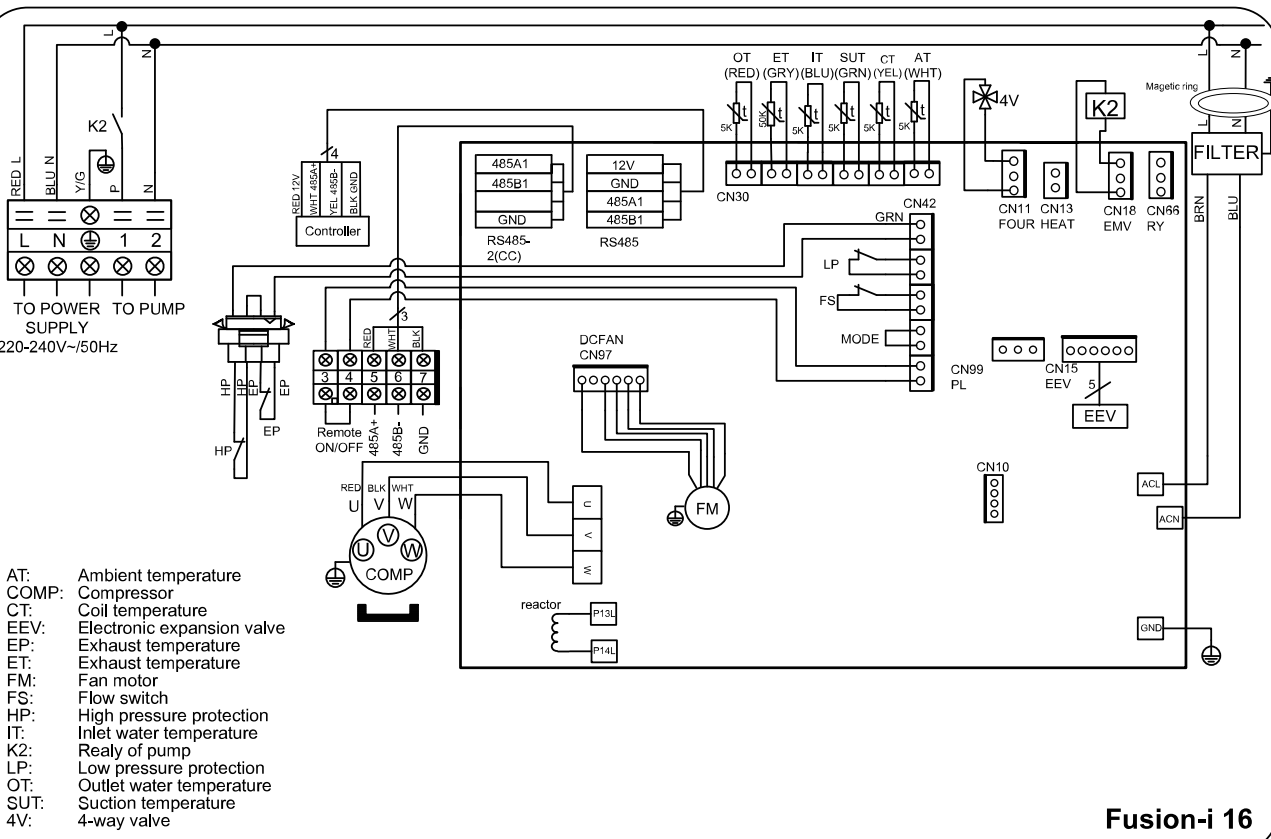


Fusion-i 12



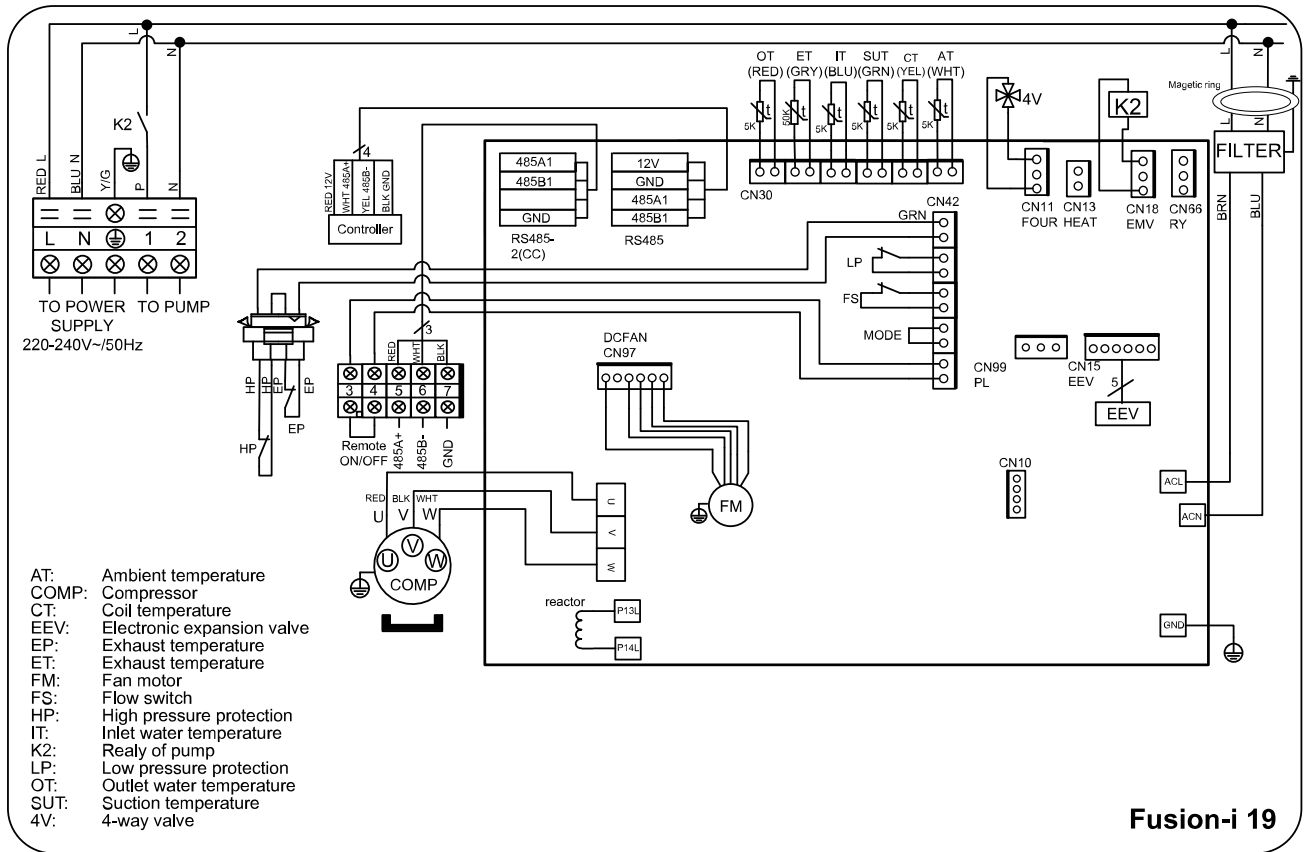
Fusion-i 12

Fusion-i 16



Fusion-i 16

Fusion-i 19



8.2 Parameter List

| Meaning | Default | Remarks |
|--|---------|------------|
| Refrigeration target temperature set point | 27°C | Adjustable |
| Heating the target temperature set point | 27°C | Adjustable |
| Automatic target temperature set point | 27°C | Adjustable |

8.3 Refrigerant Saturation Temperature

| | | | | | | | | | | |
|--------------------------------|-------|------|------|------|-----|-----|-----|------|------|------|
| Pressure (MPa) | 0 | 0.3 | 0.5 | 0.8 | 1 | 1.3 | 1.5 | 1.8 | 2 | 2.3 |
| Temperature (R410A)(°C) | -51.3 | -20 | -9 | 4 | 11 | 19 | 24 | 31 | 35 | 39 |
| Temperature (R32)(°C) | -52.5 | -20 | -9 | 3.5 | 10 | 18 | 23 | 29.5 | 33.3 | 38.7 |
| Pressure (MPa) | 2.5 | 2.8 | 3 | 3.3 | 3.5 | 3.8 | 4 | 4.5 | 5 | 5.5 |
| Temperature (R410A)(°C) | 43 | 47 | 51 | 55 | 57 | 61 | 64 | 70 | 74 | 80 |
| Temperature (R32)(°C) | 42 | 46.5 | 49.5 | 53.5 | 56 | 60 | 62 | 67.5 | 72.5 | 77.4 |

8.4 Cable Specifications

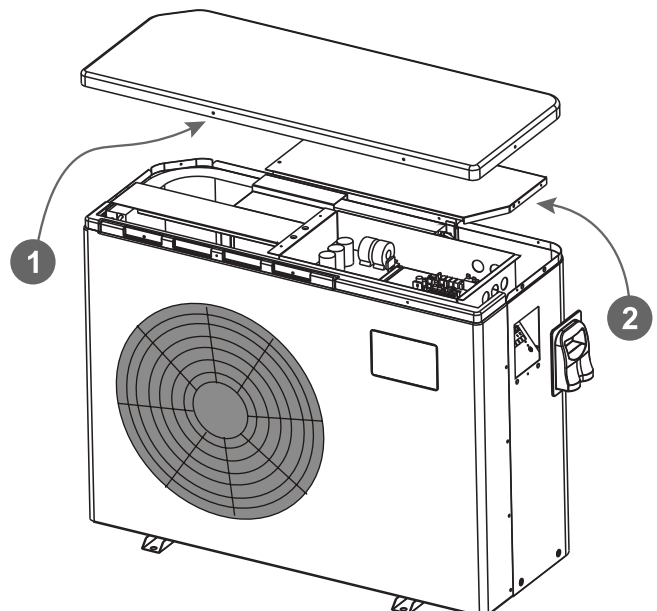
| Nameplate maximum current | Phase Line (Single Phase Unit) | Phase Line (Three Phase Unit) | Earth line | MCB | Creepage Protector | Signal Line |
|---------------------------|--------------------------------|-------------------------------|--------------------|------|------------------------|------------------------|
| No more than 10A | 2 x 1.5mm ² | 3 x 1.5mm ² | 1.5mm ² | 20A | 30mA less than 0.1 sec | n x 0.5mm ² |
| 10~16A | 2 x 2.5mm ² | 3 x 2.5mm ² | 2.5mm ² | 32A | | |
| 16~25A | 2 x 4mm ² | 3 x 4mm ² | 4mm ² | 40A | | |
| 25~32A | 2 x 6mm ² | 3 x 6mm ² | 6mm ² | 40A | | |
| 32~40A | 2 x 10mm ² | 3 x 10mm ² | 10mm ² | 63A | | |
| 40~63A | 2 x 16mm ² | 3 x 16mm ² | 16mm ² | 80A | | |
| 63~75A | 2 x 25mm ² | 3 x 25mm ² | 25mm ² | 100A | | |
| 75~101A | 2 x 25mm ² | 3 x 25mm ² | 25mm ² | 125A | | |
| 101~123A | 2 x 35mm ² | 3 x 35mm ² | 35mm ² | 160A | | |
| 123~148A | 2 x 50mm ² | 3 x 50mm ² | 50mm ² | 225A | | |
| 148~186A | 2 x 70mm ² | 3 x 70mm ² | 70mm ² | 250A | | |
| 186~224A | 2 x 95mm ² | 3 x 95mm ² | 95mm ² | 280A | | |

8.5 Wi-Fi Module Connection (Optional)

ENSURE THE POWER IS OFF BEFORE COMMENCING THIS PROCESS.

The optional Wi-fi Control upgrade can be purchased to allow you to remotely control your Fusion-i from your smartphone. The Wi-Fi module can be easily self-installed. See our YouTube video here which shows each step of the process: <https://youtu.be/mZ9ChM7NthY>

1. Unscrew the screws at the top of the unit to remove the lid.
2. Remove the electrical cover/support plate.
3. Follow the display cable to the connection point
4. Disconnect the display cable at the connection point
5. Connect the splitter cable where you unplugged the display cable.
6. Connect the display cable you originally unplugged into the splitter cable.
7. Feed the wi-fi module through the side panel and connect it to the splitter cable
8. Ensure all cabling is secure and reconnected in the correct place.
9. Reinstall the electrical cover and the top cover
10. Power up the unit and ensure all lights are responsive on the Wi-Fi module
11. Set up the connection.



9. Maintenance

9.1 F.A.Q

SHOULD I CHECK MY UNIT REGULARLY?

We recommend you do an annual maintenance check to avoid potential issues and damage to your heat pump.

ANNUAL MAINTENANCE

It is recommended that the minor maintenance be performed every 12 months by the dwelling occupant or if uncomfortable with completing this EvoHeat recommend this work to be carried out by an EvoHeat Authorised contractor. The minor maintenance includes:

- Inspection of the unit's operation which includes:
 - Unit is reaching set temperature.
 - Visible water leaks from unit besides condensation (test water for chlorine or other pool chemicals)
 - Temperature difference between the inlet and outlet temperatures on the display whilst the unit is operational.
 - Isolate unit power and remove any debris from around the evaporator and unit to prevent any restriction to airflow. (brush out evaporator coil with a soft brush in a downwards motion to prevent bending or damaging the evaporator fins)
- Conduct a visual inspection of all plumbing and electrical connections.
- Check the condensate drain line to ensure it is not blocked. If so unblock/remove the restriction from the drain. This is generally attached to a plastic barb at the base of the unit.
- Conduct a general external clean of the unit with a damp cloth.

DO I NEED TO GET MY UNIT SERVICED?

It is recommended that you get your EvoHeat unit serviced every two years by your local certified air conditioning or refrigeration technician. If your unit is located in a coastal area, more frequent maintenance may be necessary. During the service, they will check the operational pressures of the refrigeration system and give the unit and fins a good clean to ensure maximum performance.

TWO YEAR SERVICE

It is recommended that this maintenance is carried out by EvoHeat Authorised personnel. Just as a car needs regular servicing, your heat pump also requires a service to maintain efficiency and ensure long-term performance.

Phone EvoHeat Service on 1300 859 933 for our closest Accredited Service Agent.

Note: only genuine replacement parts should be used on this water heater. The service includes the following actions:

- All items listed in the Annual Maintenance
- Removal of unit covers to inspect operation of parts and internal leaks
- Check/tighten Heat exchanger Nut and Olive
- Check Fan operation
- Check Current draw of compressor and if it is in range
- Check Electrical resistance
- Check Electrical components for carbon build up, loose wiring etc.
- Wash out Evaporator Coil
- Vacuum Drain to ensure no blockage/restrictions

SWIM EVERYDAY WITH EVOHEAT

9.2 Advanced

| | |
|--|--|
| CHECK THE AREA | GENERAL WORK AREA |
| <p>Prior to beginning work on systems containing flammable refrigerants, safety checks are necessary to ensure that the risk of ignition is minimised. For repair to the refrigerating system, the following precautions shall be complied with prior to conducting work on the system. prolonged period of no usage.</p> | <p>All maintenance staff and others working in the local area shall be instructed on the nature of work being carried out. Work in confined spaces shall be avoided. The area around the workspace shall be sectioned off. Ensure that the conditions within the area have been made safe by control of flammable material.</p> |
| PRESENCE OF FIRE EXTINGUISHER | WORK PROCEDURES |
| <p>If any hot work is to be conducted on the refrigeration equipment or any associated parts, appropriate fire extinguishing equipment shall be available to hand. Have a dry powder or CO2 fire extinguisher adjacent to the charging</p> | <p>Work shall be undertaken under a controlled procedure to minimise the risk of a flammable gas or vapour being present while the work is being performed.</p> |
| CHECKING FOR PRESENCE OF REFRIGERANT | VENTILATED AREA |
| <p>The area shall be checked with an appropriate refrigerant detector prior to and during work, to ensure the technician is aware of potentially flammable atmospheres. Ensure that the leak detection equipment being used is suitable for use with flammable refrigerants, i.e. non-sparking, adequately sealed or intrinsically safe.</p> | <p>Ensure that the area is in the open or that it is adequately ventilated before breaking into the system or conducting any hot work. A degree of ventilation shall continue during the period that the work is carried out. The ventilation should safely disperse any released refrigerant and preferably expel it externally into the atmosphere. prolonged period of no usage.</p> |
| CABLING | DETECTION OF FLAMMABLE REFRIGERANTS |
| <p>Check that cabling will not be subject to wear, corrosion, excessive pressure, vibration, sharp edges or any other adverse environmental effects. The check shall also consider the effects of aging or continual vibration from sources such as compressors or fans.</p> | <p>Under no circumstances shall potential sources of ignition be used in the searching for or detection of refrigerant leaks. A halide torch (or any other detector using a naked flame) shall not be used.</p> |
| REPAIR TO INTRINSICALLY SAFE COMPONENTS | LABELLING |
| <p>Do not apply any permanent inductive or capacitance loads to the circuit without ensuring that this will not exceed the permissible voltage and current permitted for the equipment in use.</p> <p>Intrinsically safe components are the only types that can be worked on while live in the presence of a flammable atmosphere. The test apparatus shall be at the correct rating. Replace components only with parts specified by the manufacturer. Other parts may result in the ignition of refrigerant in the atmosphere from a leak.</p> | <p>Equipment shall be labelled stating that it has been de-commissioned and emptied of refrigerant. The label shall be dated and signed. Ensure that there are labels on the equipment stating the equipment contains flammable refrigerant.</p> |
| NO IGNITION SOURCES | <p>No person carrying out work in relation to a refrigeration system which involves exposing any pipe work that contains or has contained flammable refrigerant shall use any sources of ignition in such a manner that it may lead to the risk of fire or explosion. All possible ignition sources, including cigarette smoking, should be kept sufficiently far away from the site of installation, repairing, removing and disposal, during which flammable refrigerant can possibly be released to the surrounding space. Prior to work taking place, the area around the equipment is to be surveyed to make sure that there are no flammable hazards or ignition risks. No Smoking signs shall be displayed.</p> |
| CHARGING PROCEDURES | <p>In addition to conventional charging procedures, the following requirements shall be followed.</p> <ul style="list-style-type: none"> • Ensure that contamination of different refrigerants does not occur when using charging equipment. Hoses or lines shall be as short as possible to minimise the amount of refrigerant contained in them. • Cylinders shall be kept upright. • Ensure that the refrigeration system is earthed prior to charging the system with refrigerant. • Label the system when charging is complete (if not already). • Extreme care shall be taken not to overfill the refrigeration system. <p>Prior to recharging the system, it shall be pressure tested with OFN. The system shall be leak tested on completion of charging but prior to commissioning. A follow up leak test shall be carried out prior to leaving the site. The safety wire model is 5*20_5A/250VAC, and must meet the explosion-proof requirements.</p> |

CHECKS TO THE REFRIGERATION EQUIPMENT

Where electrical components are being changed, they shall be fit for the purpose and to the correct specification. At all times the manufacturer's maintenance and service guidelines shall be followed. If in doubt consult the manufacturer's technical department for assistance.

The following checks shall be applied to installations using flammable refrigerants:

- The charge size is in accordance with the room size within which the refrigerant containing parts are installed;
- The ventilation machinery and outlets are operating adequately and are not obstructed; If an indirect refrigerating circuit is being used, the secondary circuit shall be checked for the presence of refrigerant;
- Marking to the equipment continues to be visible and legible. Markings and signs that are illegible shall be corrected;
- Refrigeration pipe or components are installed in a position where they are unlikely to be exposed to any substance which may corrode refrigerant containing components, unless the components are constructed of materials which are inherently resistant to being corroded or are suitably protected against being so corroded.

CHECKS TO ELECTRICAL DEVICES

Repair and maintenance to electrical components shall include initial safety checks and component inspection procedures. If a fault exists that could compromise safety, then no electrical supply shall be connected to the circuit until it is satisfactorily dealt with. If the fault cannot be corrected immediately but it is necessary to continue operation, an adequate temporary solution shall be used. This shall be reported to the owner of the equipment, so all parties are advised.

Initial safety checks shall include:

- That capacitors are discharged: this shall be done in a safe manner to avoid possibility of sparking;
- That there no live electrical components and wiring are exposed while charging, recovering or purging the system;
- That there is continuity of earth bonding.

REPAIRS TO SEALED COMPONENTS

1. During repairs to sealed components, all electrical supplies shall be disconnected from the equipment being worked upon prior to any removal of sealed covers, etc. If it is necessary to have an electrical supply to equipment during servicing, then a permanently operating form of leak detection shall be located at the most critical point to warn of a potentially hazardous situation.
2. Particular attention shall be paid to the following to ensure that by working on electrical components, the casing is not altered in such a way that the level of protection is affected. This shall include damage to cables, excessive number of connections, terminals not made to original specification, damage to seals, incorrect fitting of glands, etc.

Ensure that apparatus is mounted securely.

Ensure that seals or sealing materials have not degraded such that they no longer serve the purpose of preventing the ingress of flammable atmospheres. Replacement parts shall be in accordance with the manufacturer's specifications.

NOTE: The use of silicon sealant may inhibit the effectiveness of some types of leak detection equipment. Intrinsically safe components do not have to be isolated prior to.

LEAK DETECTION METHODS

The following leak detection methods are deemed acceptable for systems containing flammable refrigerants.

Electronic leak detectors shall be used to detect flammable refrigerants, but the sensitivity may not be adequate, or may need re-calibration. (Detection equipment shall be calibrated in a refrigerant-free area.) Ensure that the detector is not a potential source of ignition and is suitable for the refrigerant used. Leak detection equipment shall be set at a percentage of the LFL of the refrigerant and shall be calibrated to the refrigerant employed and the appropriate percentage of gas (25 % maximum) is confirmed.

Leak detection fluids are suitable for use with most refrigerants but the use of detergents containing chlorine shall be avoided as the chlorine may react with the refrigerant and corrode the copper pipe-work.

If a leak is suspected, all naked flames shall be removed/extinguished.

If a leakage of refrigerant is found which requires brazing, all of the refrigerant shall be recovered from the system, or isolated (by means of shut off valves) in a part of the system remote from the leak. Oxygen free nitrogen (OFN) shall then be purged through the system both before and during the brazing process.

| | | |
|--------------------------------------|---|--|
| <p>REMOVAL AND EVACUATION</p> | <p>When breaking into the refrigerant circuit to make repairs or for any other purpose conventional procedures shall be used. However, it is important that best practice is followed since flammability is a consideration. The following procedure shall be adhered to:</p> <p>Remove refrigerant; Purge the circuit with inert gas; Evacuate; Purge again with inert gas; Open the circuit by cutting or brazing.</p> | <p>The refrigerant charge shall be recovered into the correct recovery cylinders. The system shall be "flushed" with OFN to render the unit safe. This process may need to be repeated several times. Compressed air or oxygen shall not be used for this task.</p> <p>Flushing shall be achieved by breaking the vacuum in the system with OFN and continuing to fill until the working pressure is achieved, then venting to atmosphere, and finally pulling down to a vacuum. This process shall be repeated until no refrigerant is within the system. When the final OFN charge is used, the system shall be vented down to atmospheric pressure to enable work to take place. This operation is absolutely vital if brazing operations on the pipe-work are to take place.</p> <p>Ensure that the outlet for the vacuum pump is not close to any ignition sources and there is ventilation available. working on them.</p> |
| <p>RECOVERY</p> | <p>When removing refrigerant from a system, either for servicing or decommissioning, it is recommended good practice that all refrigerants are removed safely.</p> <p>When transferring refrigerant into cylinders, ensure that only appropriate refrigerant recovery cylinders are employed. Ensure that the correct number of cylinders for holding the total system charge is available. All cylinders to be used are designated for the recovered refrigerant and labelled for that refrigerant (i.e. special cylinders for the recovery of refrigerant). Cylinders shall be complete with pressure relief valve and associated shut-off valves in good working order. Empty recovery cylinders are evacuated and, if possible, cooled before recovery occurs.</p> <p>The recovery equipment shall be in good working order with a set of instructions concerning the equipment that is at hand and shall be suitable for the recovery of flammable refrigerants. In addition, a set of calibrated weighing scales shall be available and in good working order. Hoses shall be complete with leak-free disconnect couplings and in good condition. Before using the recovery machine, check that it is in satisfactory working order, has been properly maintained and that any associated electrical components are sealed to prevent ignition in the event of a refrigerant release. Consult manufacturer if in doubt.</p> | <p>The recovered refrigerant shall be returned to the refrigerant supplier in the correct recovery cylinder, and the relevant Waste Transfer Note arranged. Do not mix refrigerants in recovery units and especially not in cylinders.</p> <p>If compressors or compressor oils are to be removed, ensure that they have been evacuated to an acceptable level to make certain that flammable refrigerant does not remain within the lubricant. The evacuation process shall be carried out prior to returning the compressor to the suppliers. Only electric heating to the compressor body shall be employed to accelerate this process. When oil is drained from a system, it shall be carried out safely.</p> |
| <p>DECOMMISSIONING</p> | <p>Before carrying out this procedure, it is essential that the technician is completely familiar with the equipment and all its detail. It is recommended good practice that all refrigerants are recovered safely. Prior to the task being carried out, an oil and refrigerant sample shall be taken in case analysis is required prior to re-use of reclaimed refrigerant. It is essential that electrical power is available before the task is commenced.</p> <ol style="list-style-type: none"> a) Become familiar with the equipment and its operation. b) Isolate system electrically. c) Before attempting the procedure ensure that: <ul style="list-style-type: none"> - Mechanical handling equipment is available, if required, for handling refrigerant cylinders; - All personal protective equipment is available and being used correctly; - The recovery process is always supervised by a competent person; - Recovery equipment and cylinders conform to the appropriate standards. d) Pump down refrigerant system, if possible. e) If a vacuum is not possible, make a manifold so that refrigerant can be removed from various parts of the system. f) Make sure that cylinder is situated on the scales before recovery takes place. g) Start the recovery machine and operate in accordance with manufacturer's instructions. h) Do not overfill cylinders. (No more than 80 % volume liquid charge). i) Do not exceed the maximum working pressure of the cylinder, even temporarily. j) When the cylinders have been filled correctly and the process completed, make sure that the cylinders and the equipment are removed from site promptly and all isolation valves on the equipment are closed off. k) Recovered refrigerant shall not be charged into another refrigeration system unless it has been cleaned and checked. | |

10. Warranty



Refer to the EvoHeat website for warranty details

- Australia: <https://evoheat.com.au/warranty-terms/>
- South East Asia: <http://evoheat.com.sg/warranty/>

1. Warranty terms are from date of purchase.
2. This warranty excludes any defect or injury caused by or resulting from misuse, abuse, neglect, accidental damage, improper voltage, vermin infestation, incompetent installation, any fault not attributable to faulty manufacture or parts, any modifications which affect the reliability or performance of the unit.
3. This warranty does not cover the following:
 - a) Natural Disasters (hail, lightening, flood, fire etc.)
 - b) Damage resulting from any animal or creature (including vermin, reptiles and insects)
 - c) Rust or damage to exterior coatings, materials, and cabinet caused by corrosive atmosphere or weather/environmental conditions
 - d) When serviced by an unauthorized person without the permission of Evo Industries
 - e) When a unit is installed by an unqualified person
 - f) When failure occurs due to improper or incorrect installation
 - g) Where failure occurs due to failure of any other equipment connected in relation with the EvoHeat unit (e.g. power supply, water pump etc)
 - h) Where failure occurs due to improper maintenance or misuse (refer Operating Instructions)
 - i) 'No Fault Found' service calls where the perceived problem is explained within the operation instructions.
 - j) Costs associated with delivery, handling, freighting, or damage to the product in transit.
 - k) Where the unit has been relocated from its originally installed location
 - l) Where the unit has not been adequately sized/specified for the pool size, climate, environmental conditions and desired temperature
4. If warranty service is required, you should:
 - a) Contact Evo Industries Australia on 1300 859 933 or via our Contact page on our web site
 - b) Provide a copy of your receipt as proof of purchase
 - c) Have completed the online Service Request Form via the website www.evoheat.com.au/service-request/
5. Onsite technical service is available within the normal operating area of your Evo Authorised Service Agents. Service outside this area will incur a traveling fee.
6. Unless otherwise specified to the purchaser, the benefits conferred by this express warranty and additional to all other conditions, warranties, rights and remedies expressed or implied by the Trade Practices Act 1974 and similar consumer protection provisions contained in legislation of the States and Territories and all other obligations and liabilities on the part of the manufacturer or supplier and nothing contained herein shall restrict or modify such rights, remedies, obligations or liabilities.

REGISTER YOUR WARRANTY

EvoHeat highly recommend customers complete their warranty details online to ensure efficient warranty claim processing.

To register your warranty, scan our QR Code or head to our website and fill in the Warranty Registration Form: <https://evoheat.com.au/warranty-registration/>



SWIM EVERYDAY WITH EVOHEAT